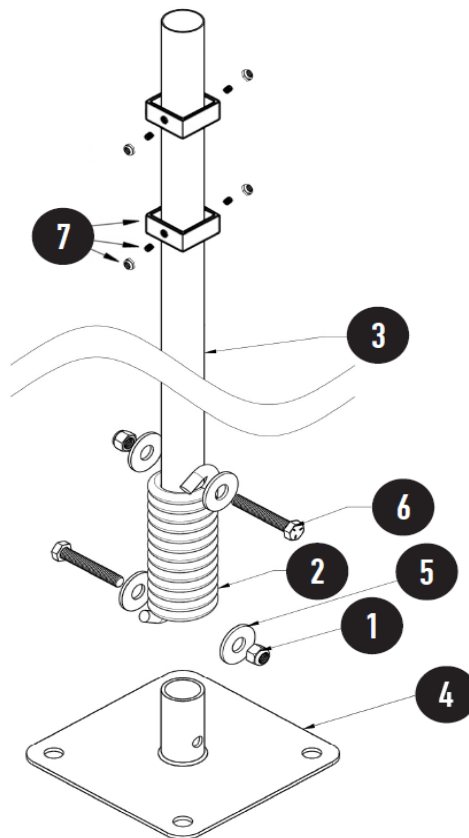


FlexPost®

Standard Flexible Sign Post

#	Qty	Part #	Description
1	2	37030	½" – 13 Lock Nut – Zinc
2	1	RE-SK	Patented Torsion Spring
3	1	RE-#P	Choice of 6' or 8' x 1-5/8" Post – 0.55" Wall
4	1	RE-BP	9 x 9" Square Base Plate
5	4	33012	½" x 1.375" Flat Washer – Zinc
6	2	13824	½" – 13 x 3" Tap Bolt – Zinc
7	1	RE-SB	Double Sided Sign Bracket Kit (2 Sign Brackets, 4 Set Screws, & 4 Lock Nuts)



Installation Guides:

flexpostinc.com/install



Anchoring Options





FlexPost[®] Quick Start Guide

Step 1: Secure the Base

STANDARD



XL



Types of Anchoring Hardware and Tools Required for Mounting

Asphalt



3/4" Masonry Drill Bit
15/16" Ratchet

Heavy Duty Asphalt



3/8 Cup of Water
7/8" Masonry Drill Bit
9/16" Ratchet

Concrete



High Speed Drill
1/2" Masonry Drill Bit
3/4" Ratchet

Adhesive



Standard Caulk Gun

Ground



3/4" Wrench
3/4" Ratchet

XL Ground



Quick Setting Cement
2 x 1/2" Ratchet

Step 2: Attach Spring [Standard] Insert Set Screw [XL]

STANDARD

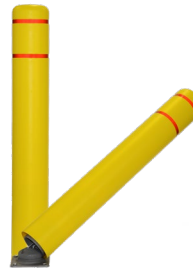


1/2" Ratchet

XL



Step 3: Install Bollard (If Applicable)



Step 4: Attach Sign Brackets



Anchoring/Installation/Warranty Info

flexpostinc.com/install

