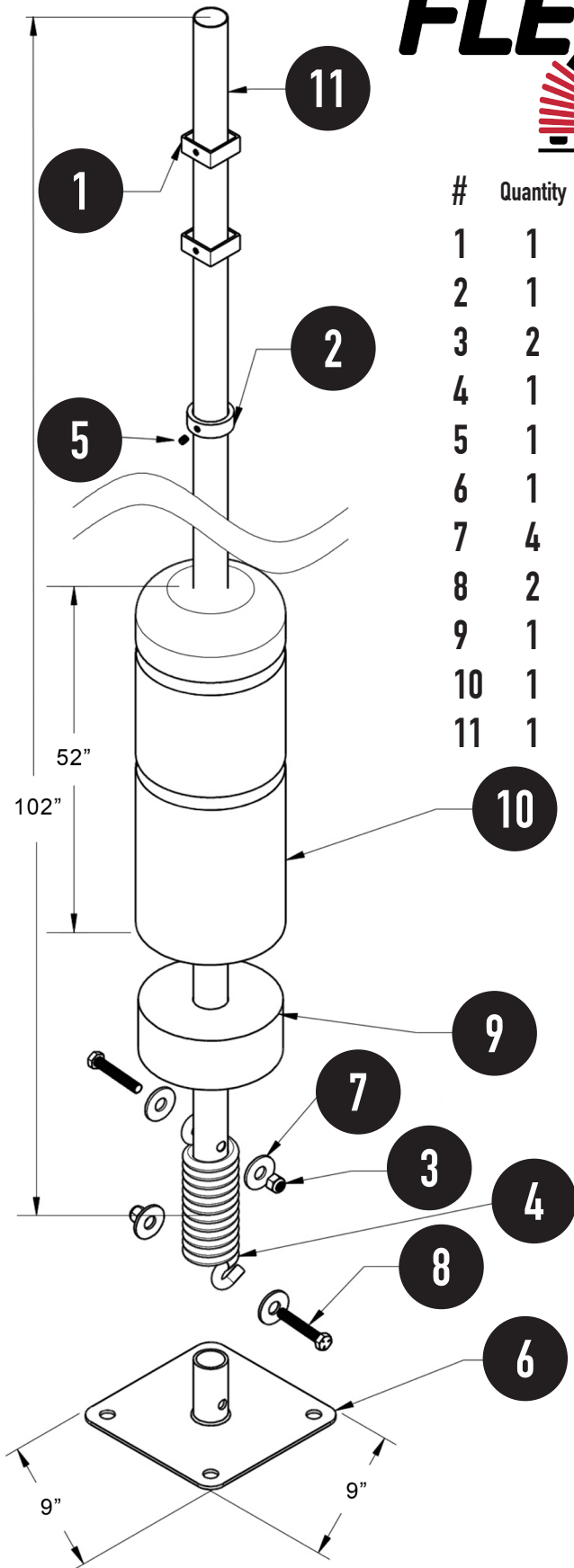


# FLEX POST®

## ASSEMBLY GUIDE & PARTS LIST



#	Quantity	Part Number	Dimensions & Description
1	1	RE-SB	Double Sided Sign Bracket Kit
2	1	RE-CK225	2.25" Round Collar Ring
3	2	37030	1/2"-13 Lock Nut - Zinc
4	1	RE-SK	Patented Torsion Spring
5	1	73278	5/16"-18 x 3/8" Set Screw
6	1	RE-BP	9"x9" Square Base Plate
7	4	33012	1/2" x 1.375" Flat Washer - Zinc
8	2	13824	1/2"-13 x 3" Tap Bolt - Zinc
9	1	RE-FR-7	7" Foam Spacer Ring
10	1	RE-BC52	52" x 7" Bollard Cover
11	1	RE-8P	1 5/8" x 8' Galv. Steel Post - .055 (6' Pole Available Upon Request)



### ANCHORING

CHOICE OF:



CONCRETE



ASPHALT



ADHESIVE

REFER TO THE  
NEXT PAGE FOR  
ANCHORING  
INSTRUCTIONS

# FlexPost®

## 52" FlexBollard™ with 8' Post

www.flexpostinc.com • 888-307-6610