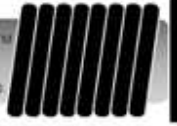


# FLEXPOST™



4190 Sunnyside Drive  
Holland, MI 49424  
Phone: (616) 928-0829  
Toll Free: (616) 577-2588  
Fax: (616) 928-1138  
www.flexpost.net

Title: Standard Signpost Natural Ground Model - Part: 103NGM

Drawing Number: 103NGM

**Recommended Use**

Parking Lots

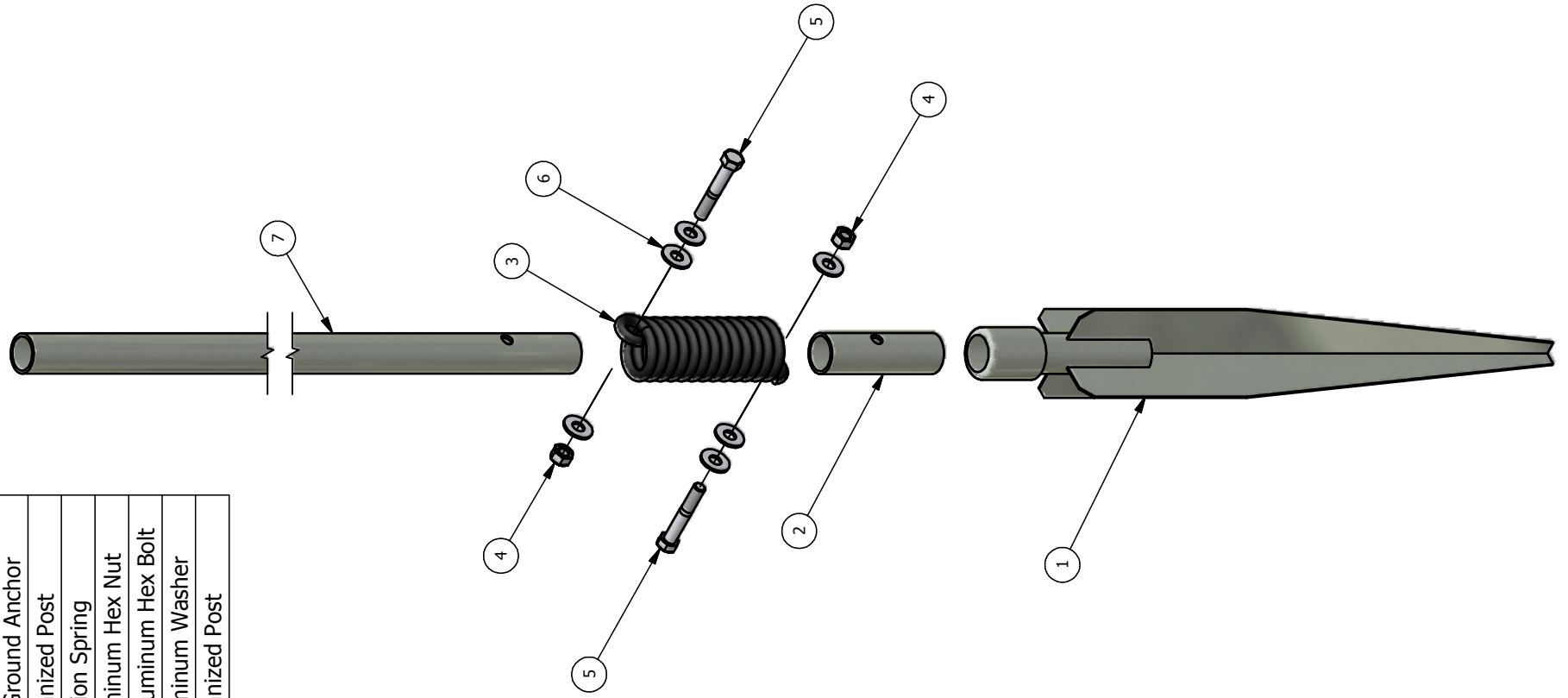
**Specifications**

HRPO Steel Baseplate - Galvanized Steel Pole  
Aluminum Shear Away Bolts

Date: 9/8/2007

Size: ANSI A

Size: Sheet 1 of 1



Natural Ground Model - Part: 103NGM	
ITEM	DESCRIPTION
1	Natural Ground Anchor
2	Galvanized Post
3	Torsion Spring
4	1/2" Aluminum Hex Nut
5	1/2" x 3" Aluminum Hex Bolt
6	1/2" Aluminum Washer
7	Galvanized Post